

Thiele-Small Parameters

Qms	8.67	
Qes	0.69	
Qts	0.64	
Mms	12.73	g
Vas	2.79	l
Cms	0.28	mm/N
Xmax	4.15	mm
u0	0.24	%
Sd	84.95	cm ²
Bl	5.84	T*m
Rms	1.28	Kg/s

Electrical Characteristics

Nominal Impedance	4	Ohm ± 12%
Rated Power DIN 45573	100*	Watt
Rated Power DIN 45500	200	Watt
Resonance Frequency	70	Hz ± 6 Hz
Flux Density	8900	Gauss ± 7%
Voice Coil Resistance	3.4	Ohm ± 10%
Voice Coil Diameter	36	mm
Sensitivity (1w, 1m)	87.00	dB
Voice Coil Induc. (1KHz.)	0.445	mH



Measurement Conditions

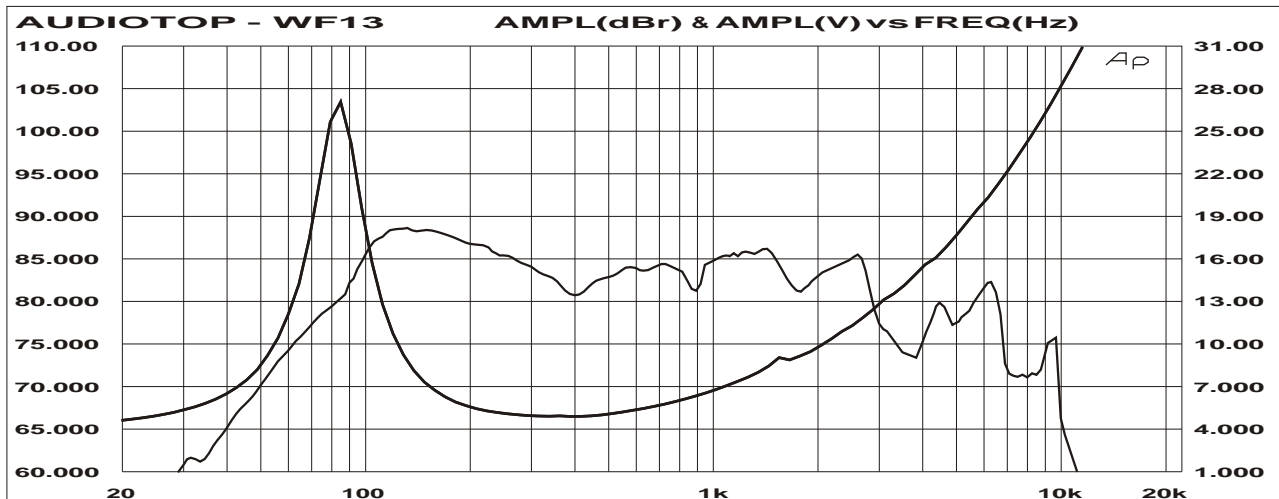
Frequency Response: The Speaker is Mounted On a DIN 45575 Baffle.

Microphone Distance: 1m.

Measuring Power, Held Costantly, is 1 Watt Across a DC Resistance of Normal Imped.

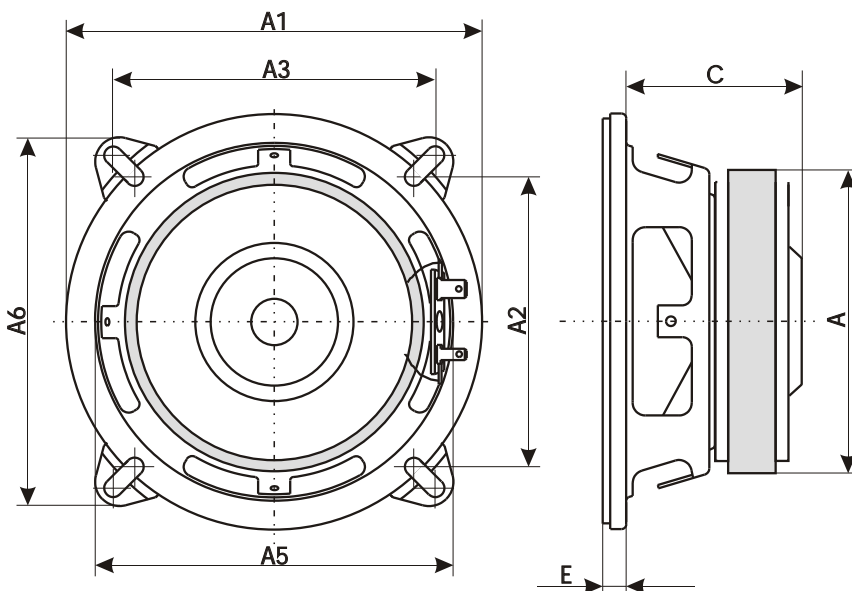
LOUDSPEAKER

*= Power specifications: Nominal power filtered by a 2° crossover network at 80 Hz



FREQUENCY RESPONSE AND IMPEDANCE :

NOTES: Black glass fiber cone, rubber surround and aluminium voice coil former



- A → 102 mm.
- A1 → 130 mm.
- A2 → 100 mm.
- A3 → 100 mm.
- A4 → --- mm.
- A5 → 112 mm.
- A6 → 112 mm.
- B → --- mm.
- C → 60 mm.
- D → --- mm.
- E → 10 mm.
- F → --- mm.
- G → --- mm.