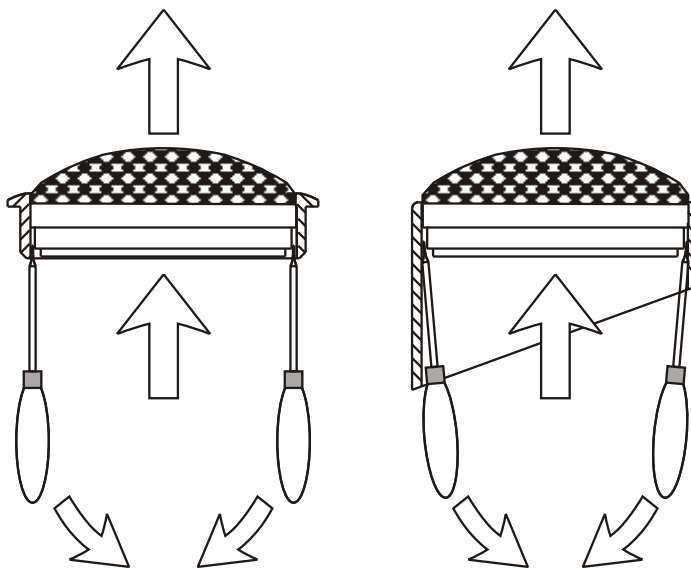


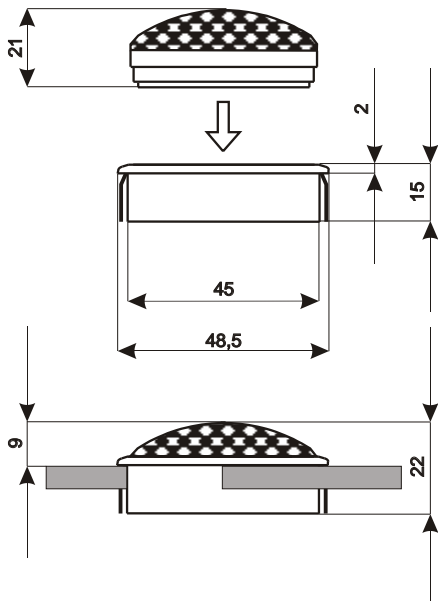
Thiele-Small Parameters

| | | |
|------|------|-----------------|
| Qms | 1.91 | |
| Qes | 2.07 | |
| Qts | 0.99 | |
| Mms | 0.35 | g |
| Vas | | l |
| Cms | 0.04 | mm/N |
| Xmax | | mm |
| u0 | 0.31 | % |
| Sd | 7.07 | cm ² |
| Bl | 2.18 | T*m |
| Rms | 0.67 | Kg/s |

LOUDSPEAKER



PLEASE ALWAYS CONNECT CAPACITOR TO POSITIVE POLE (BEFORE ASSEMBLY)



Electrical Characteristics

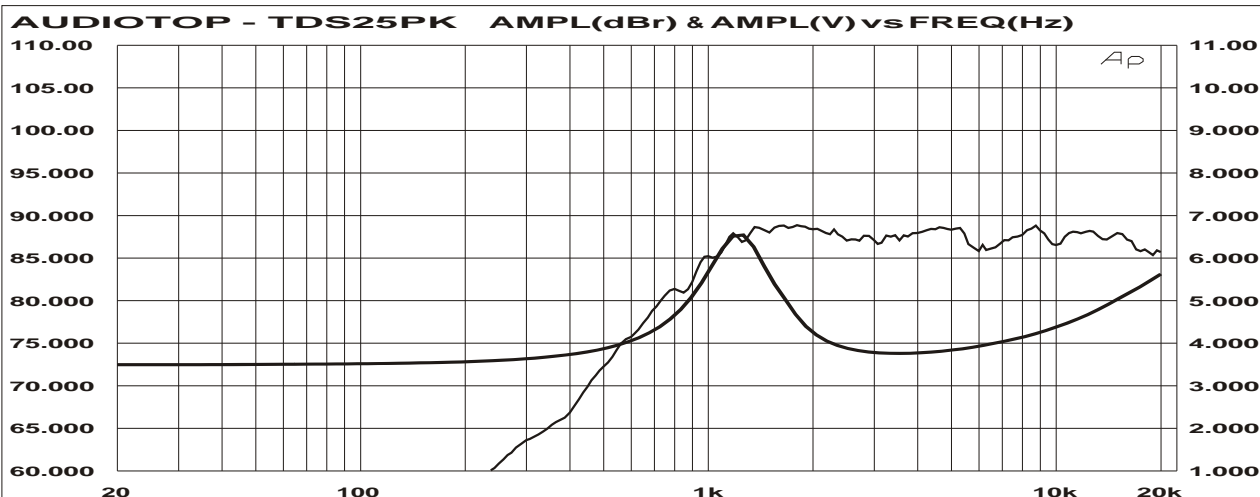
| | | |
|---------------------------|-------|-------------|
| Nominal Impedance | 4 | Ohm ± 12% |
| Rated Power DIN 45573 | 60 | Watt |
| Rated Power DIN 45500 | 120 | Watt |
| Resonance Frequency | 1300 | Hz ± 300 Hz |
| Flux Density | 12000 | Gauss ± 7% |
| Voice Coil Resistance | 3.6 | Ohm ± 10% |
| Voice Coil Diameter | 25.45 | mm |
| Sensitivity (1w, 1m) | 88.00 | dB |
| Voice Coil Induc. (1KHz.) | 0.026 | mH |



Measurement Conditions

Frequency Response: The Speaker is Mounted On a DIN 45575 Baffle.
Microphone Distance: 1m.
Measuring Power, Held Costantly, is 1 Watt Across a DC Resistance of Normal Imped.

*= Power specifications: Filtered by a 2° crossover network at 3800 Hz



FREQUENCY RESPONSE AND IMPEDANCE :

NOTES: Soft dome tweeter, neodymium magnet, ferrofluid filling of air gap and aluminium voice coil former