

### Thiele-Small Parameters

Qms	1.88	
Qes	0.68	
Qts	0.50	
Mms	7.68	g
Vas	5.22	l
Cms	0.52	mm/N
Xmax	1.65	mm
u0	0.38	%
Sd	84.95	cm <sup>2</sup>
Bl	4.50	T*m
Rms	0.49	Kg/s

### Electrical Characteristics

Nominal Impedance	4	Ohm ± 12%
Rated Power DIN 45573	60*	Watt
Rated Power DIN 45500	120	Watt
Resonance Frequency	80	Hz ± 6 Hz
Flux Density	10500	Gauss ± 7%
Voice Coil Resistance	3.4	Ohm ± 10%
Voice Coil Diameter	25.23	mm
Sensitivity (1w, 1m)	89.00	dB
Voice Coil Induc. (1KHz.)	0.269	mH



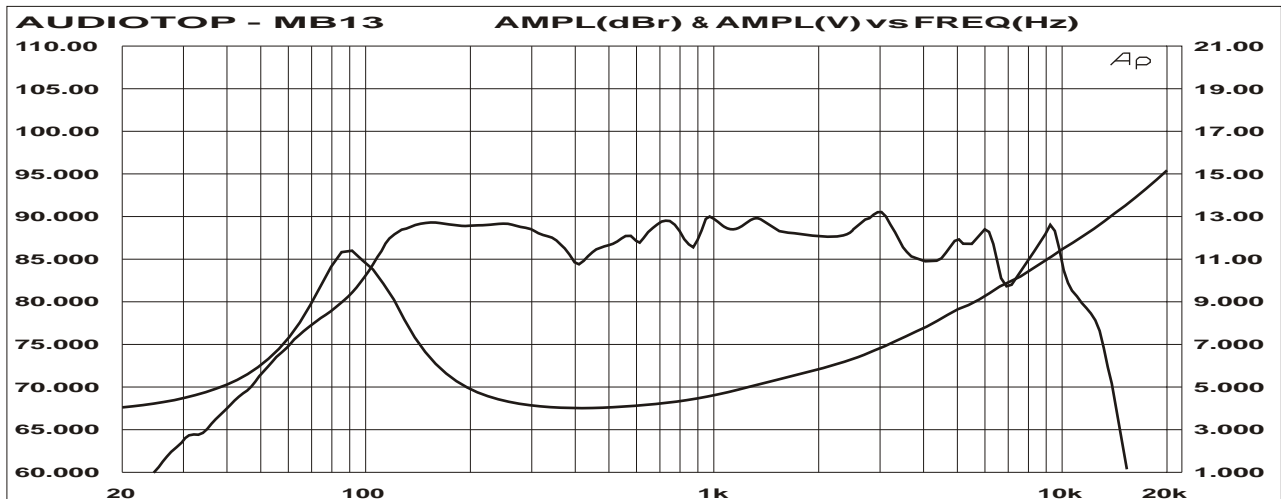
#### Measurement Conditions

Frequency Response: The Speaker is Mounted On a DIN 45575 Baffle.  
Microphone Distance: 1m.

Measuring Power, Held Costantly, is 1 Watt Across a DC Resistance of Normal Imped.

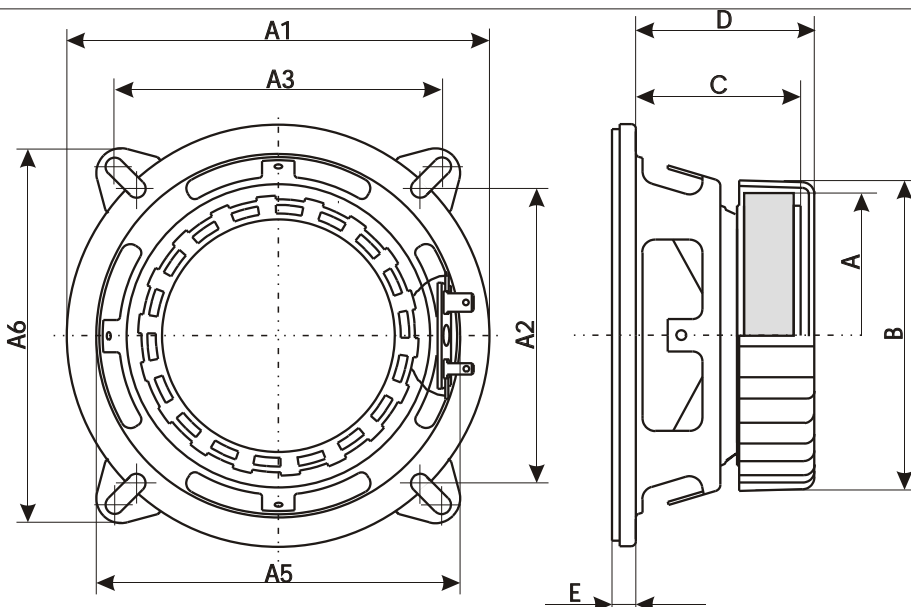
## LOUDSPEAKER

\*= Power specifications: Filtered by a 2° crossover network at 80 Hz



FREQUENCY RESPONSE AND IMPEDANCE :

NOTES: Black glass fiber cone, foam surround and aluminium voice coil former



- A → 86 mm.
- A1 → 130 mm.
- A2 → 100 mm.
- A3 → 100 mm.
- A4 → --- mm.
- A5 → 112 mm.
- A6 → 112 mm.
- B → 95 mm.
- C → 57 mm.
- D → 60 mm.
- E → 9 mm.
- F → --- mm.
- G → --- mm.